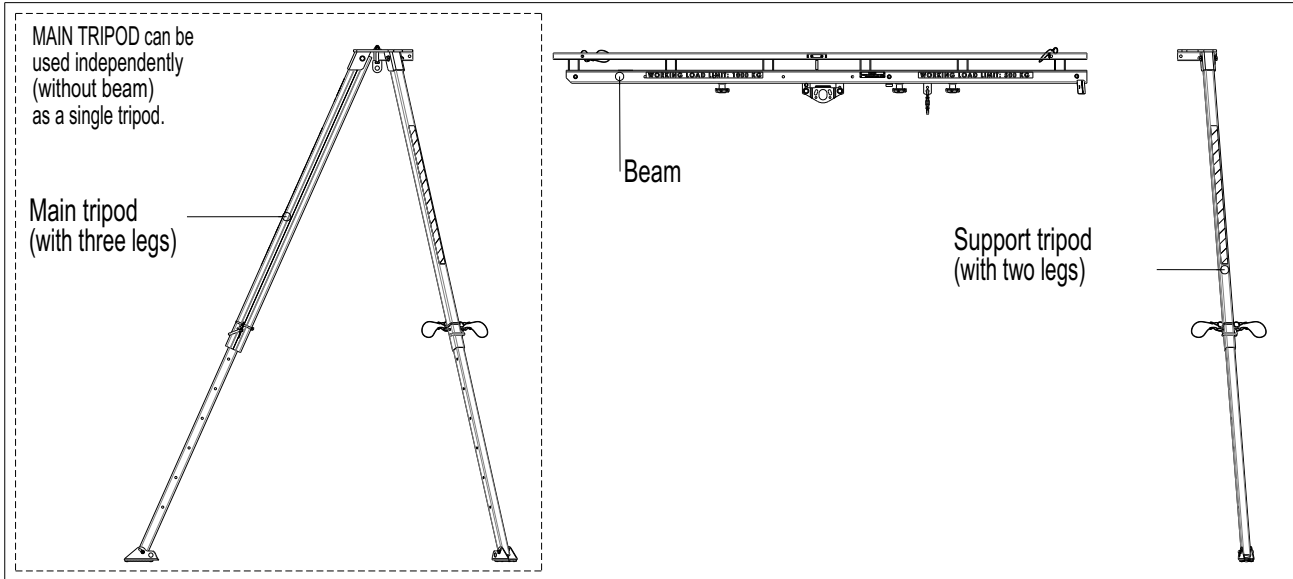


SECTION 1 - GENERAL DATA

GENERAL DESCRIPTION

TM 12 safety spider is a component of personal protective equipment against fall from height. Spider is used to protect employees (using Trolley B, Main Tripod Central Anchor Point or Beam Anchor Point) working in drainage wells, reservoirs, wells, silos etc. during lifting loads (using Trolley A and Reinforced Leg Attachment Point and Main Tripod Lateral Attachment Point). For personal protection device must be used in conjunction with fall arrest equipment. Spider TM 12 is designed to use with RUP 502-AT, RUP 503-T brake winches and RUP 502-A, RUP 503, CRW 300 rescue lifting devices.

TM 12 "SPIDER" FULL SET

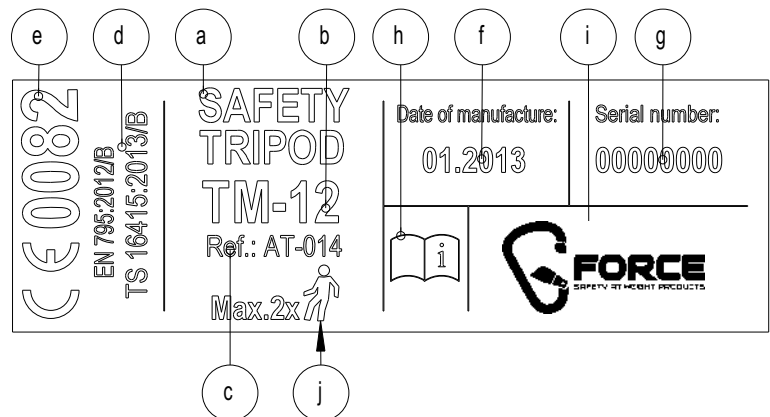


CERTIFICATION AND COMPLIANCE WITH STANDARDS

- a) EN 795:2012 type B
Equipment use as a transportable temporary anchor point for one person . EC certificate.
- b) TS 16415:2013 type B
Equipment use as a transportable temporary anchor point for two people
Compliance with standard and document TS 16415/B:2013. Not covered by the EC certificate.
- c) EN 1496:2006 type B
Equipment use with RUP 502-A / RUP 503 / CRW 300 as an rescue kit for maximum two people
Compliance with standard and document EN 1496/B:2006. Not covered by the EC certificate.

CONTENT OF THE IDENTITY LABEL

- a) Device type.
- b) Model symbol.
- c) Reference number.
- d) Number/year/class of the European standard.
- e) CE marking and number of a notified body controlling manufacturing of the equipment.
- f) Month and year of manufacture.
- g) Serial number of the tripod.
- h) Caution: read the manual.
- i) Marking of the manufacturer or distributor of the tripod.
- j) Maximum number of users permitted simultaneously.



Month and year of the manufacturer's next inspection.
Don't use the device after this date.
Attention: Before the first use mark the date of inspection (date of first use + 12 months, e.g. first use 01.2013 - mark inspection 01.2014).
"Next inspection label" placed near Identity Label.

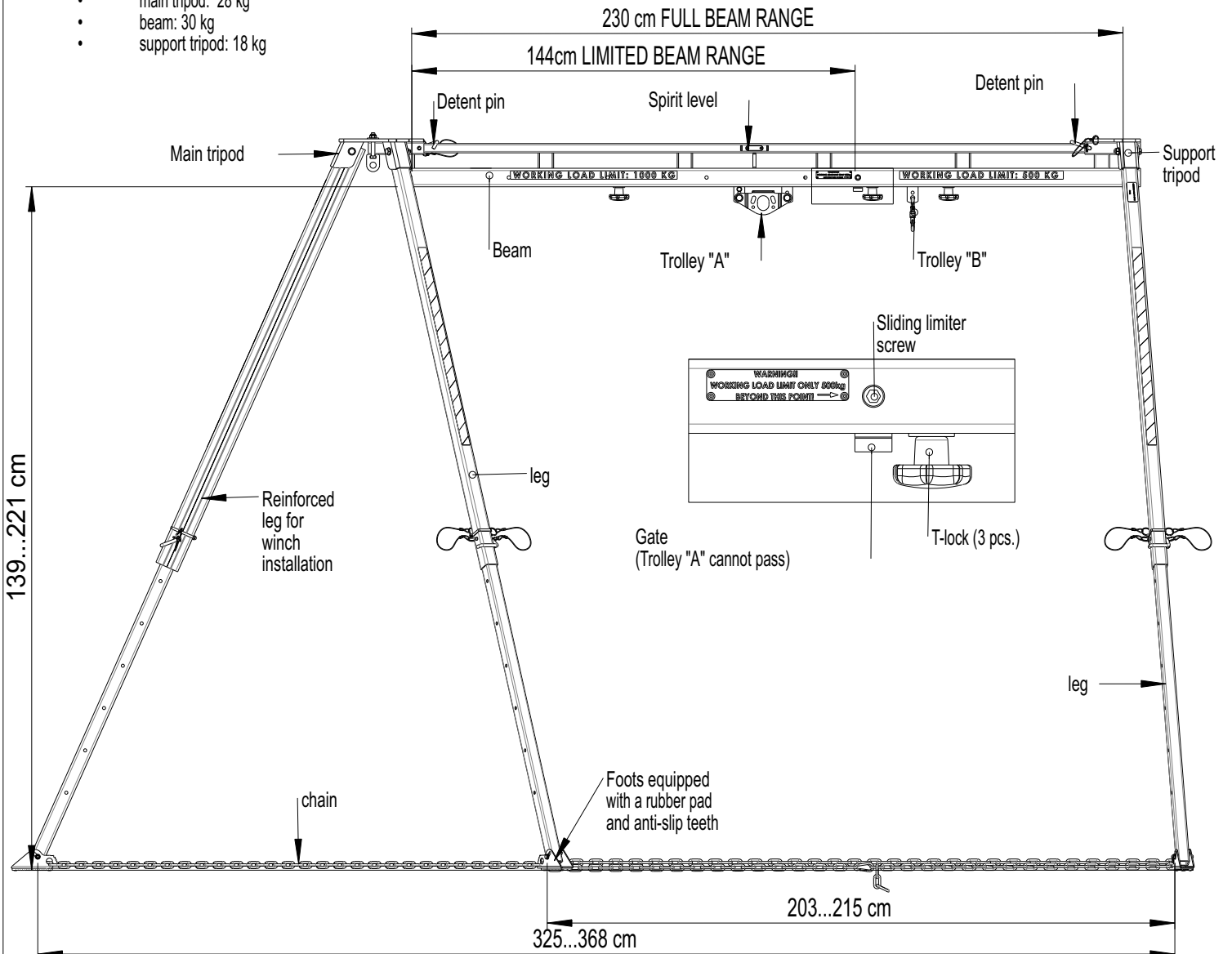
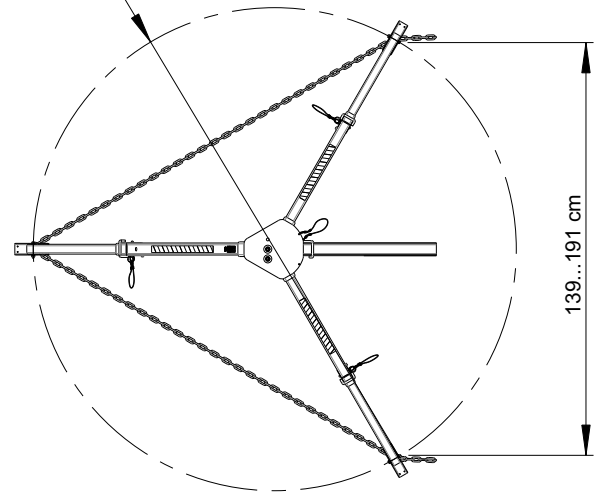
TABLE OF CONTENT

- SECTION 1 - GENERAL DATA01
 - General description.....01
 - Certification and compliance with standards.....01
 - Content of identity label.....01
 - Technical data.....03
 - Basic equipment.....03
- SECTION 2 - DEVICE INSTALLATION04
 - Beam parts installation procedure.....04
 - Installing main tripod.....05
 - Installing TM 12 spider full set.....06
 - Leveling spider beam.....07
 - Locking trolleys position with t-locks.....07
 - Maximum device loading.....07
- SECTION 3 - PERSONAL PROTECTION ACCORDING TO EN 795/B AND TS 16415/B08
 - Description.....08
 - Anchor points description.....08
 - Rules for personal protection.....09
 - General precautions.....09
 - The essential principles of use of personal protective equipment.....09
 - Inspection.....10
 - Periodic inspection.....10
 - Admissible time of use.....10
 - Withdrawal from use.....10
 - Withdrawn from use after arresting a fall.....10
 - Transportation.....10
 - Maintenance and storage.....10
- SECTION 4 - LIFTING LOADS11
 - Description.....11
 - Attachment points description.....11
 - Usage TM 12 spider full set for lifting loads.....12
 - Installing RUP 502-AT / RUP 503-T brake winches to the TM 12 spider full set.....13
 - Usage TM 12 main tripod for lifting loads.....14
 - Installing RUP 502-AT / RUP 503-T brake winch to the TM 12 main tripod.....15
- SECTION 5 - RESCUE ACCORDING TO EN 1496/B16
 - Rules for rescue.....16
 - General precautions for rescue.....16
 - Usage TM 12 spider full set for rescue purposes.....17
 - Installing RUP 502-A / RUP 503 rescue lifting devices to the TM 12 spider full set.....18
 - Installing CRW 300 rescue lifting device to the TM 12 spider full set.....19
 - Usage TM 12 main tripod for rescue purposes.....20
 - Installing RUP 502-A / RUP 503 rescue lifting devices to the TM 12 main tripod.....21
 - Installing CRW 300 rescue lifting device to the TM 12 main tripod.....22
- SECTION 6 - USAGE SCENARIOS23
- IDENTITY CARD24

TECHNICAL DATA

- working height
 - legs fully extended: 221 cm
 - legs fully retracted: 139 cm
- working width
 - legs fully extended: 368 cm
 - legs fully retracted: 325 cm
- legs spacing
 - legs fully extended: 191 cm
 - legs fully retracted: 139 cm
- tripods spacing
 - legs fully extended: 203 cm
 - legs fully retracted: 215 cm
- full beam range: 230 cm
- limited beam range: 144 cm
- one independent tripod
- protection for maximum two people at the same time
- available 6 anchor/attachment points
- shipping dimensions (wooden box; l x h x w): 254 x 33 x 33 cm
- weight of components (without wooden box):
 - main tripod: 28 kg
 - beam: 30 kg
 - support tripod: 18 kg

R 150... R 223 cm



BASIC EQUIPMENT

- main tripod and support tripod heads
 - made of zinc-plated painted steel. Main tripod head is equipped with stainless-steel eye-bolt for rope pulley attachment. Both heads are equipped with locking pins for beam attachment.
- beam
 - made of zinc-plated painted steel profile. Spider beam is equipped with two trolleys ("A" and "B") and beam attachment point. For locking trolleys' position T-lock's are used.
- legs
 - made of aluminium alloy profiles with round edges. They consist two sections. The telescopic construction of the legs allows the user to adjust their length. To adjust the legs length locking pins are used. The legs of the spider are equipped with self-aligning steel feet with rubber pads. The feet have anti-slip "teeth" used when positioning the spider on a slippery (e.g. icy) surface.
- chain
 - leg chain is supplied to minimize horizontal forces and prevent the legs spreading and collapsing.

SECTION 2 - DEVICE INSTALLATION

IT IS RECOMMENDED THAT THE DEVICE SHOULD BE TRANSPORTED AND INSTALLED BY MINIMUM TWO PEOPLE!

TM 12 - BEAM PARTS INSTALLATION PROCEDURE

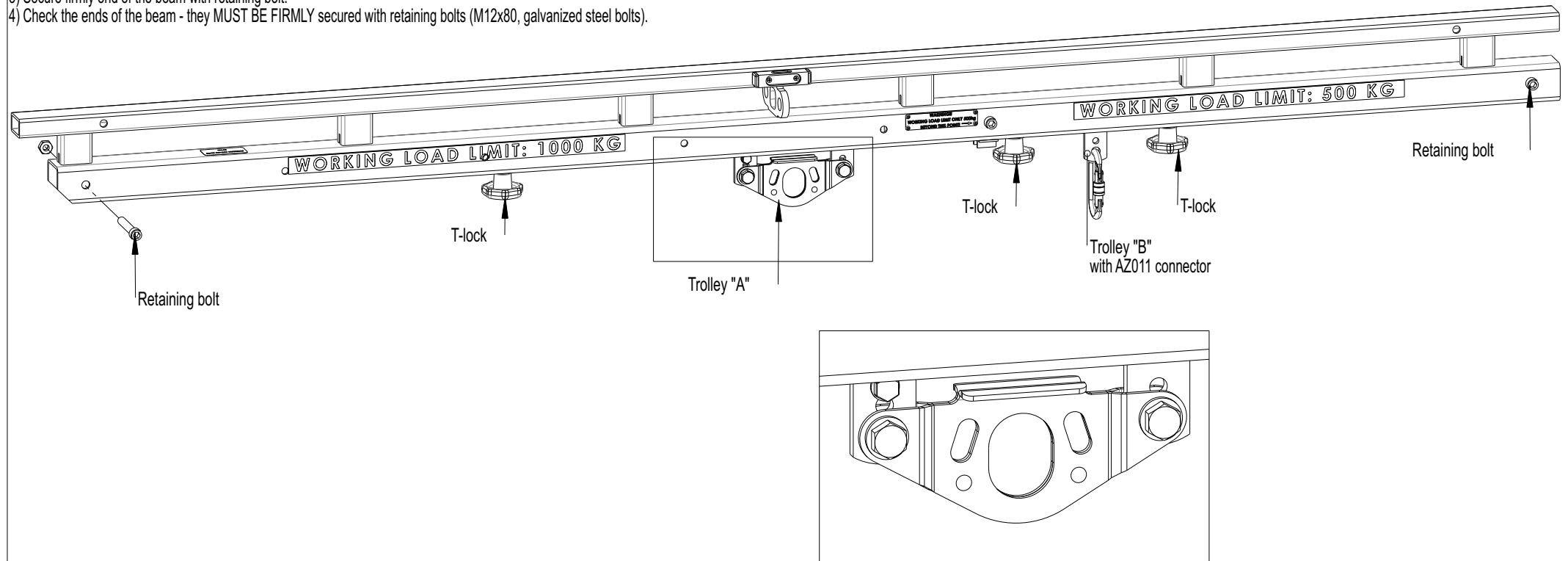
During transportation all components (trolley's and t-lock's) mounted on the beam, are transported separately in the box.
Proper installation of all components shown in the figure below.

LIST OF COMPONENTS:

- a) Trolley "A" - 1 pc
- b) Trolley "B" with AZ011 connector - 1 pc
- c) T-lock - 3 pcs.
- d) Retaining bolts + nuts - 2 pcs.

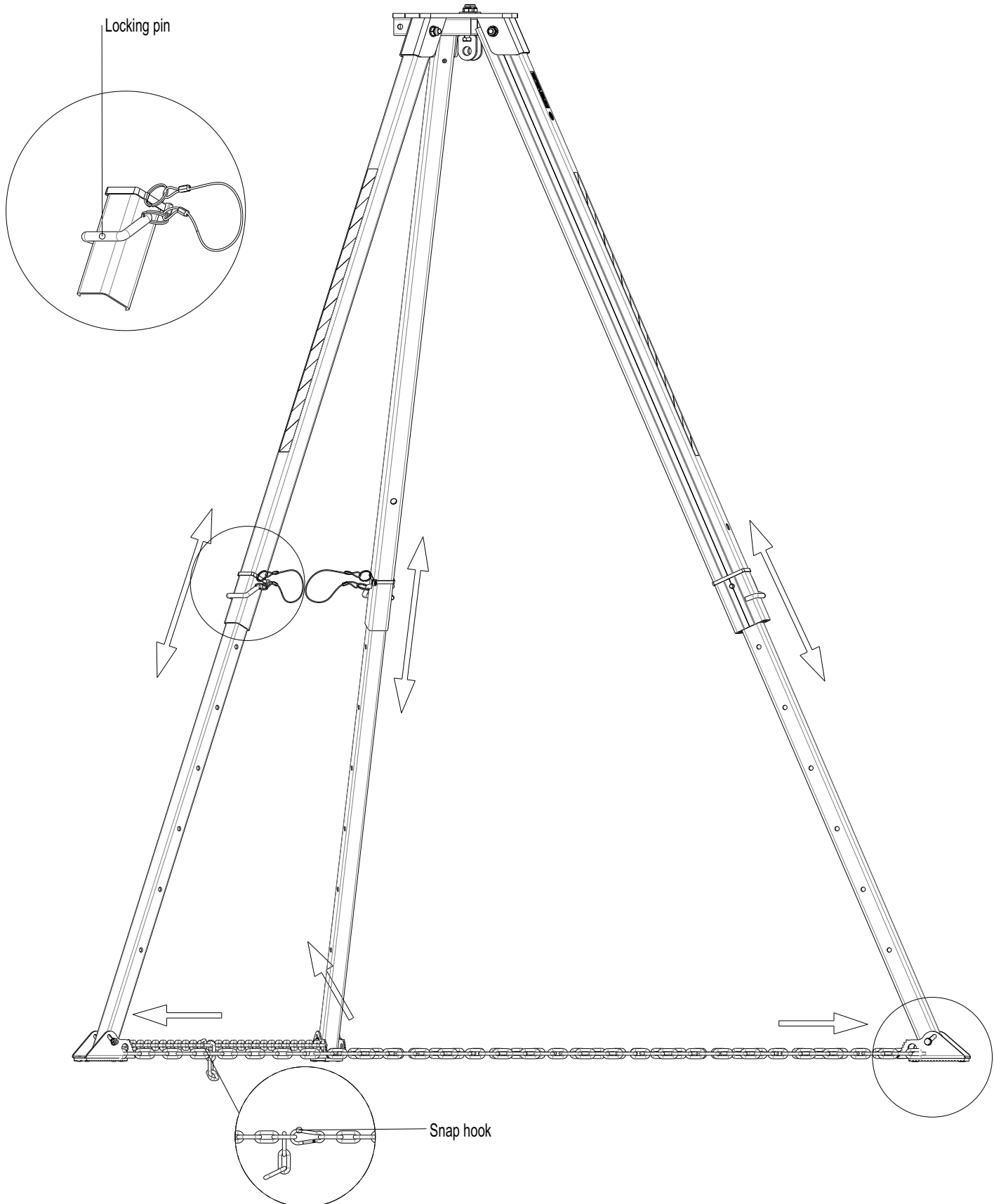
INSTRUCTION:

- 1) Remove retaining bolt at the end of the beam.
- 2) Install all of the items from "List of components".
- 3) Pay attention to the correct installation of Trolley "A".
- 3) Secure firmly end of the beam with retaining bolt.
- 4) Check the ends of the beam - they **MUST BE FIRMLY** secured with retaining bolts (M12x80, galvanized steel bolts).



INSTALLING MAIN TRIPOD

1. Place the main tripod in a upright position on a flat, stable and hard surface.
2. Make sure the feet are on firm ground and can support the load.
3. Pull out the tripod legs to the desired length and lock with the locking pin.
4. Make sure the locking pins are properly secured. The end of the locking pin must protrude above the surface of the tripod legs.
5. Adjust the length of the legs so that the head is located in the horizontal plane.
6. The main tripod should be positioned over opening so working line will be located approximately in the center of the opening.
7. Secure the tripod legs with the chain against the accidental sliding open. The ends of the chain must be fastened with a snap hook. The chain should be tight between the legs of the tripods. Remove excess slack of the chain.



INSTALLING TM 12 SPIDER FULL SET

1. Set the main tripod according to "installing main tripod" instructions without chain. Legs should be pulled out and lock with the locking pin in the lowest possible position (step "a").
2. Place the support tripod on a flat, stable and hard surface. Place the end of the beam in the support tripod's clamping and lock with the locking pin (step "b-1" and "b-2").
3. Raise chamfered end of the beam and place in the main tripod's clamping and lock with the locking pin (step "c-1" and "c-2" and "c-3").
4. Make sure the feet are on firm ground and can support the load.
5. Firstly pull out the main tripod legs to the desired length and lock with the locking pin. Lastly pull out the support tripod legs to the same length as main tripod legs. Make sure the locking pins are properly secured. The end of the locking pin must protrude above the surface of the tripod legs.
6. The tripod should be positioned over opening so working line will be located approximately in the center of the opening.
7. Secure the tripod legs with the chain against the accidental sliding open. The ends of the chain must be fastened with a snap hook. The chain should be tight between the legs of the tripod. Remove excess slack of the chain.
8. Level the TM 12 spider according to "Leveling spider beam" instruction" - next page.

