

SafePod - Technical Sales Sheet: 045

Product Code: 40301

Standards: EN795 Type B

Example Setup:

- 40301 - SafePod SP1
- 31001 - Sentinel Recovery
- 40304 - Sentinel Bracket
- 40401 - Hand Winch
- 40404 - Hand Winch Bracket



Product Features

- One piece cast heat treated alloy head
- Recess label protection panel
- 2 x internal pulleys
- 1 x swivel anchor
- Patent Pending Auto Lock Rota Collar
- One hand release and open
- Cast alloy feet with EPDM rubber footpad
- Stainless steel hardware
- Alloy leg tubes, clear anodised
- Multiple bracket height attachment locations
- Anti-rattle
- Retained leg pins
- Safety webbing tape (optional)

Product Specification

- Simple to service and maintain
- User capacity: 140kg (250kg for two persons)
- Goods capacity: 500kg
- 15kg device weight

2 x Internal Pulleys



Patent Pending Rota Lock Collar



SafePod - TRIPOD

Model

SPI



ISO 9001:2015

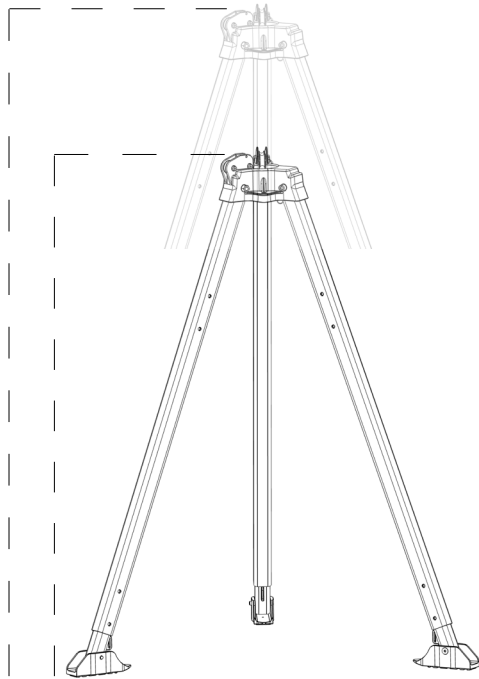
Cert No.-9976-QMS-001

Description: Confined Space Access Tripod

SafePod - Technical Sales Sheet: 045

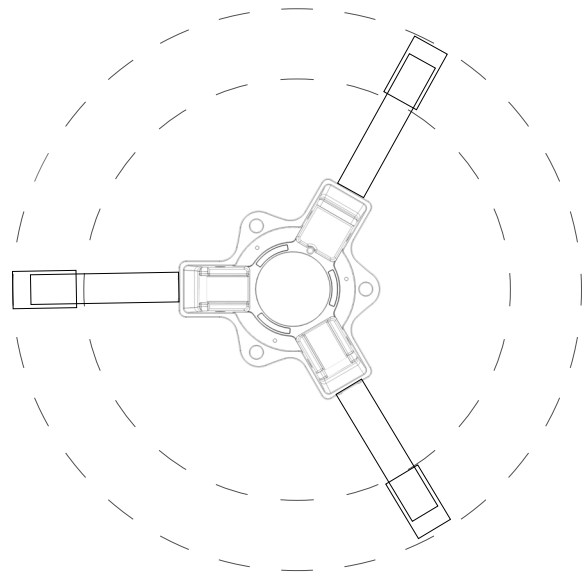
Product Code: 40301

Standards: EN795 Type B



Height:

- MIN: 1.4m
- MAX: 2.3m



Diam:

- MIN: 1.5m
- MAX: 2.1m

Product Code	Description
40301	SH-40301 SafePod tripod system



SafePod - TRIPOD

Model

SPI



ISO 9001:2015

Cert No.-9976-QMS-001

Description: Confined Space Access Tripod